

# WOSEN

Light As You Like  
EST:1992



## SportLight



### Product information

A simple and elegant light fitting, designed with high lumen. It is a LED that can be utilised in versatile application ranges.

### Features

- Use high brightness SMD LED as light source, constant current at low voltage.High Quality LED chips & lens.
- Linear design, driver on PCB board or in the back.
- Use high heat conduction aluminum alloy as material of lamp body, surface coating with high radiating material at static condition.
- Reasonable structure, good at cooling, waterproof, dust proof and so on.
- Lights installed by screws, the process is simple, the lamp is securely installed.
- Anti-corrosion aluminum body (IP66 rating)
- Stable electromagnetic compatibility. Ultra-low EMI noise generation eliminates electrical interference

### Benefits

- Light weight: 14KG 25KG
- Lifespan L70: 50 000 hours
- Fast, simple and easy installation options
- Quality Assurance:5 years
- Working Temperature:-20~55°C
- Input Voltage:100-305V
- Humidity:10 ~90% R.H.
- 10KV surge protection
- Adjustable beam angle, Custom lighting lens angle 10°, 25°, 60°.
- Large heat sink to allow maximum heat departure
- Multi-scale lens to create well-balanced distribution and reduce glare.

### Application areas

Mainly apply to outdoor and indoor sports arenas lighting projects and stadiums,etl. Also apply to factories, mines, warehouses and other places.

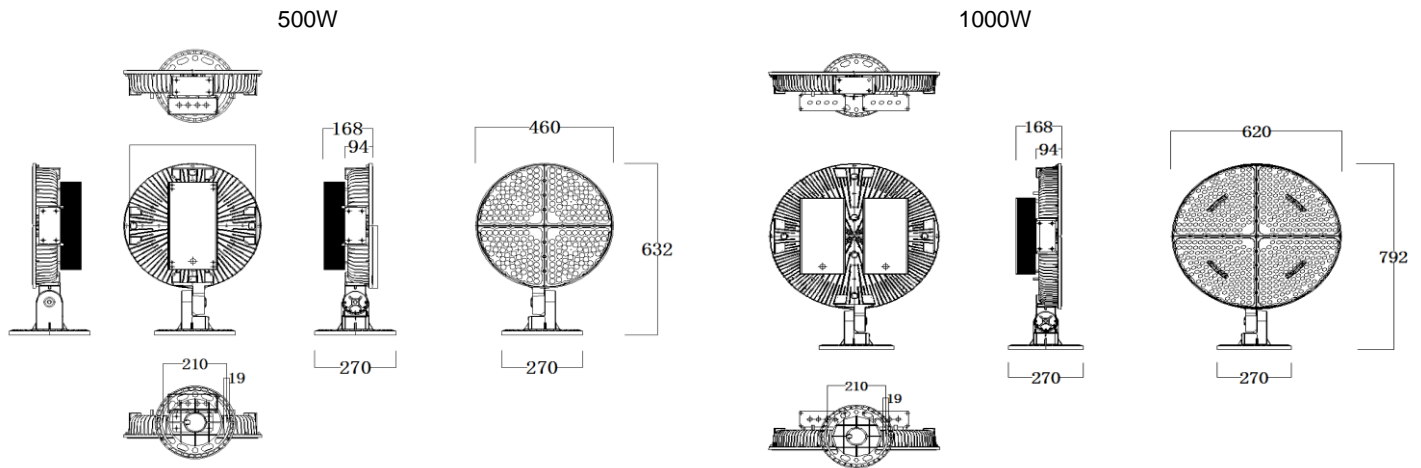
### Structures and materials

- Aluminum+PC
- Surface Color:Black

## Specification summary

Product code	Lumen (lm)	CCT (K)	CRI (Ra)	Input Current (mA)	Output Current (mA)	Rated life L70 (h)	IP	PF	Overall dimension	Weight (kg)
<b>500W</b>										
WSSL500	90000LM	3000K-6500K	80+	2.3A	10A	15000	66	0.95+	632*460*270mm	14
<b>1000W</b>										
WSSL1000	171000LM	3000K-6500K	80+	4.4A	20A	15000	66	0.95+	792*620*270mm	25

## Dimensions (mm)



## Regulatory and standards

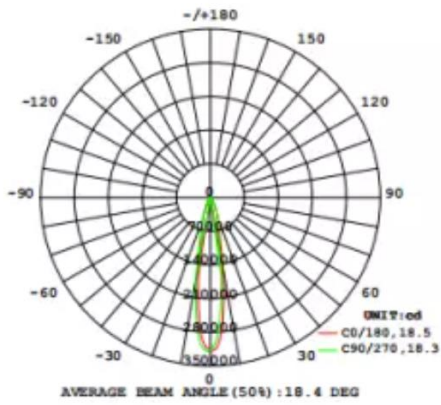
**Regulatory mark:** CE/ETL/DLC/RoHS

**Regulations:** 2014/35/EU, 2014/30/EU, 2011/65/EU, (framework 2009/125/EC) EU/1194/2012 amended by EU 2015/1428, (framework 2010/30/EC) 874/2012 and 518/2014\*, 2012/19/EU\*

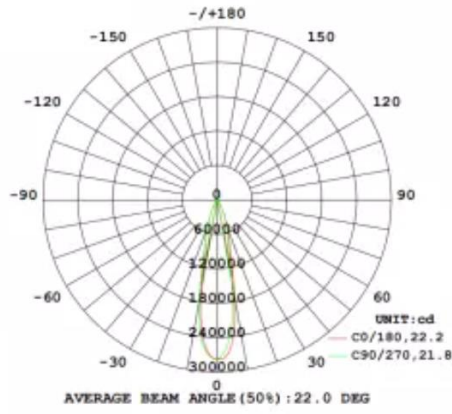
**Harmonised standards:** EN 60598, EN 62493, EN 61547, EN55015, EN 61000, refer to CE Declaration of Conformity and Technical File for details

\*not on WOSEN

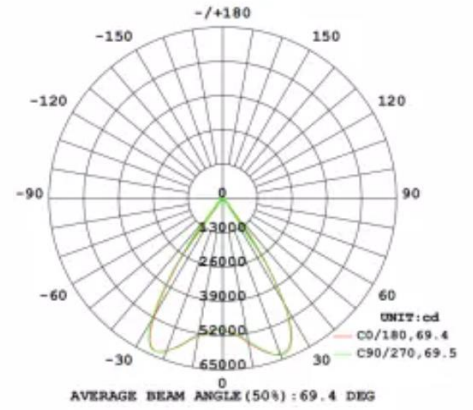
## Photometric data



**15degree**



**25degree**



**60degree**

**Example:** LED SPORTS LIGHT WSL 500W 1000W IP66

LED SPORTS LIGHT with standard cover, system 500W 80CRI, 3000K-6000K CCT, No sensor, Static control, IP66 rating

We in WOSEN LIGHTING, are constantly developing and improving our products. For this reason, all product descriptions in this catalogue are intended as a general guide, and we may change specifications from time to time in the interest of product development, without prior notification or public announcement. All descriptions in this publication present only general particulars of the goods to which they refer and shall not form part of any contract. Data in this guide has been obtained in controlled experimental conditions. However, WOSEN LIGHTING cannot accept any liability arising from the reliance on such data to the extent permitted by law.

LED Light Datasheet – MAY 2020 □

**WOSEN 沃尔森**